

Tall Aluminum Gates from Japan

MCE-H Gates

kunkel Works



- Anodized Aluminum
- Maintenance Free
- Corrosion Resistant
- Modular



For Shorter Gates see MCE Series

Colors

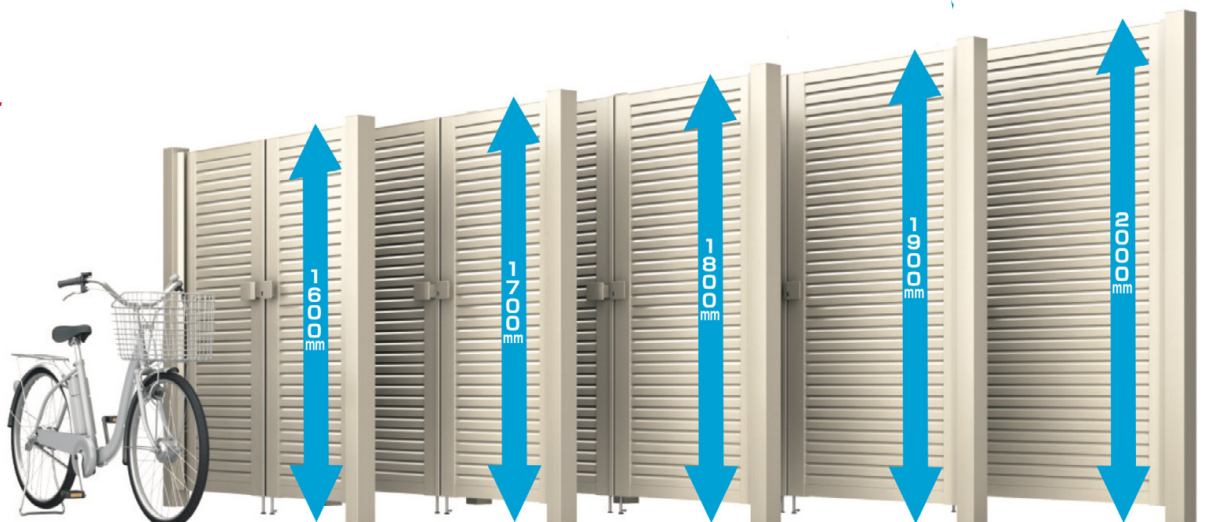


Finished Height

- H 5'-6"
- H 5'-10"
- H 6'-2"
- H 6'-6"
- H 6'-10"

and Width

- Single: W 4'-4" or less
- Double: W 8' or less



MCE-H Gates

Finished Height: 5'-6"/5'-10"/6'-2"/6'-6"/6'-10"
Panels (W): 800/900/1000/1100mm



Color:



All panel styles are also available with the HM- Lever Handle with a separate dead-bolt lock



MCE-H Gates

Finished Height: 5'-6"/5'-10"/6'-2"/6'-6"/6'-10"
Panels (W): 800/900/1000/1100mm



Color:



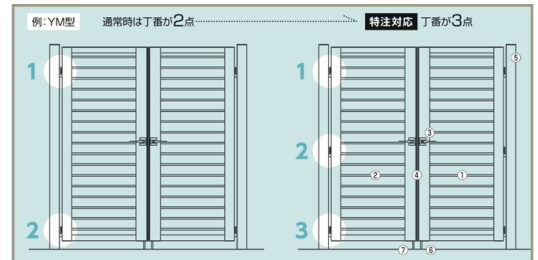
Any Panel Style can have a HM-Lever-dead-bolt Handle. Below see 3 examples



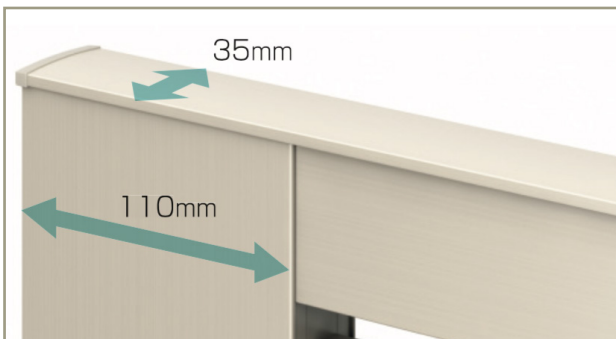
MCE-H
Details



- Anodized Aluminum
- Corrosion Resistant
- Maintenance Free
- Modular
- Tested
- Precise
- Durable
- Beautiful



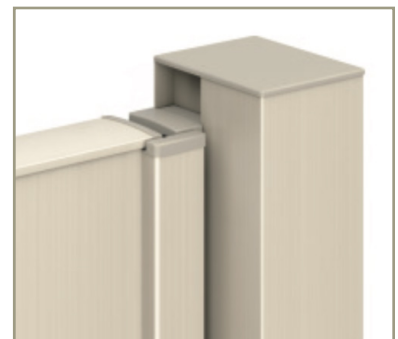
Heavier gates get more hinges



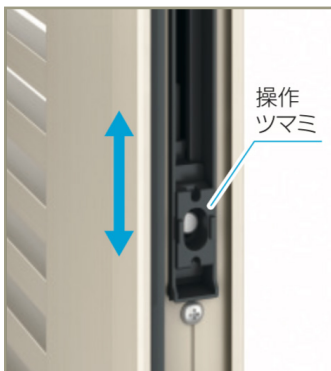
Panel dimensions



Lock-gap Hider on a Double Gate



Lock-gap Hider on a Single



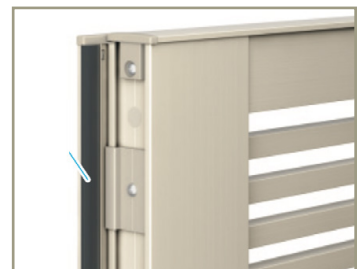
The secondary panel lock-down-stick is activated with a lever inside panel.



Panel profile caps keep moisture out

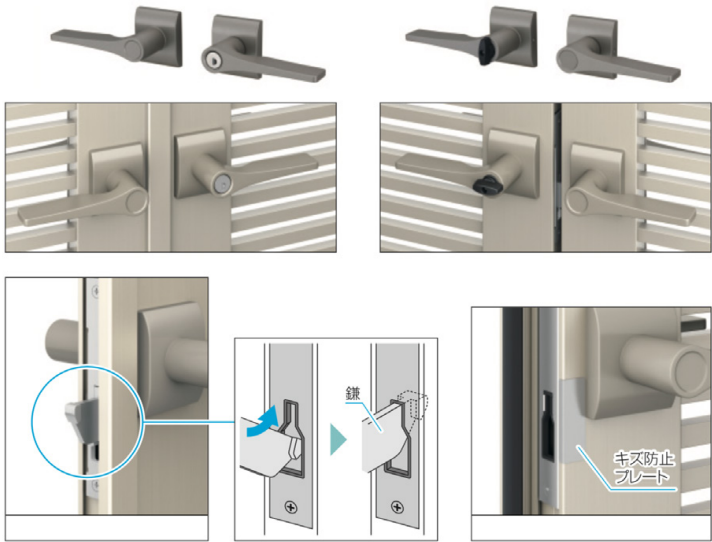


Lock-down stick on the main panel (moves first) is activated by turning and pulling down the stick

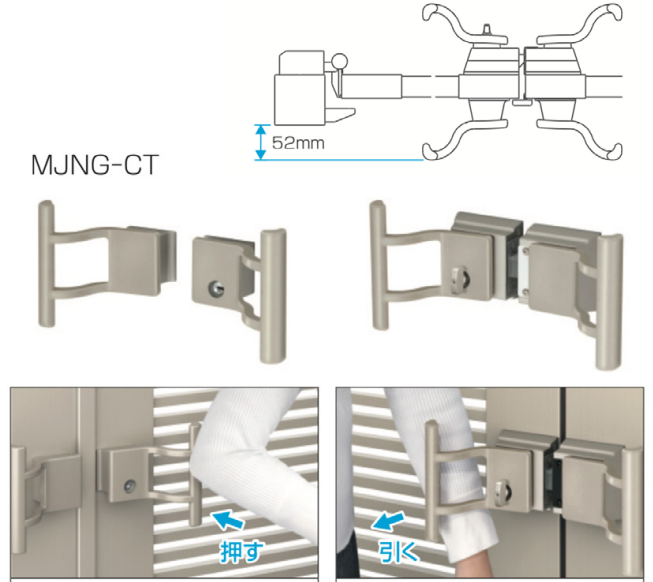




Lever Handle



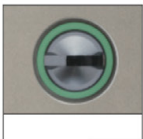
Push-Pull Handles



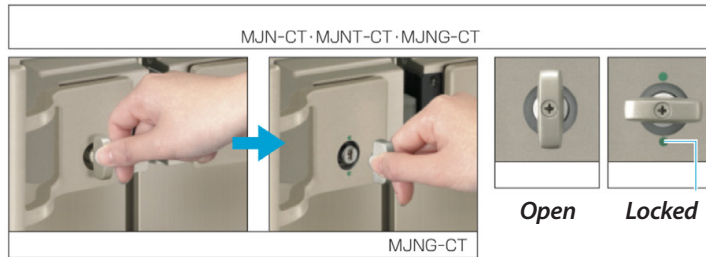
MJNT-CT
MJNT-CC

MJNT-CT

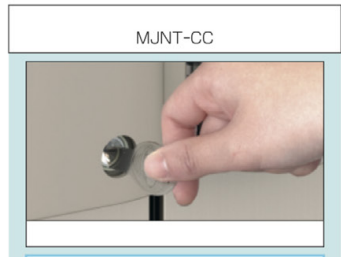
MJNT-CC



Japanese Dimple Key
Duplicates are available
upon request



Removable Thumb-turn



You can also have key
access only on both sides

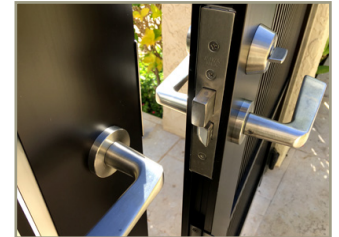


Thumb-turn on the Lever Handle

Thumb-turns are a
super convenient locking
option, however, on
a shorter gate, Key on
both sides would be the
safer option.



MCE-HM Handles



LMN-01 *Lever Handle with Thumb-turn*



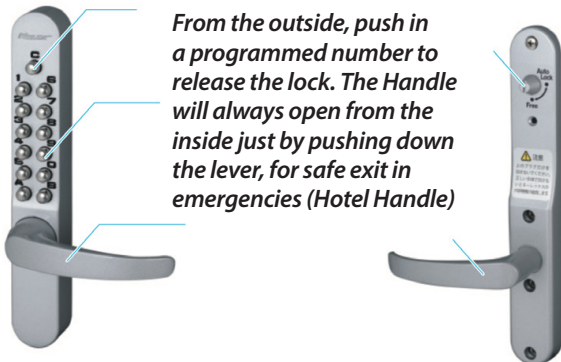
LMN-03 *Key on both sides*



LMN-04 *No key needed on inside (Hotel Handle)*



MJN-KX-S **Optional Digit- Entry System**



From the outside, push in a programmed number to release the lock. The Handle will always open from the inside just by pushing down the lever, for safe exit in emergencies (Hotel Handle)

