

# Aluminum Gate from Japan

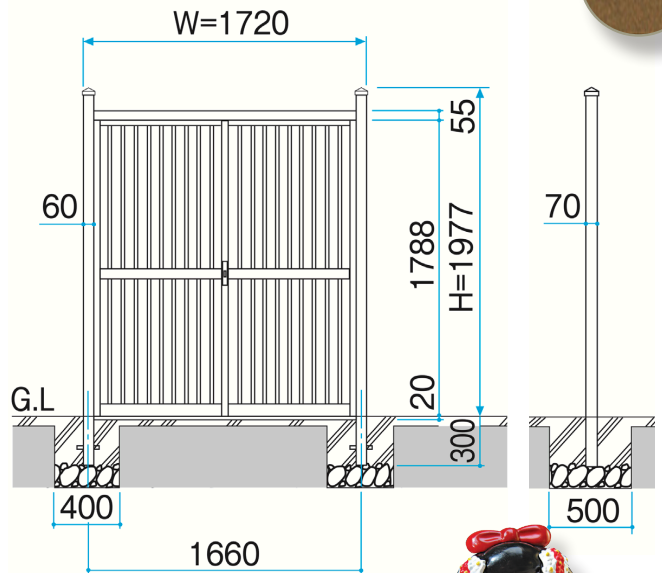
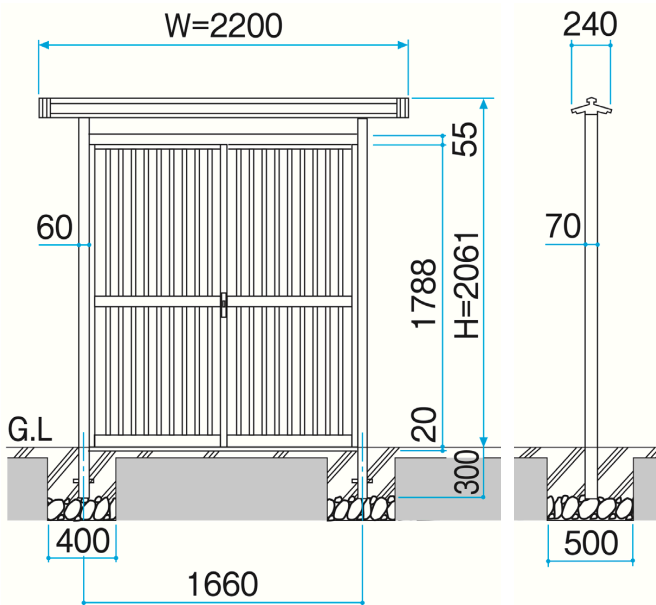
# Traditional Japanese Gate

• Fukuno

- Anodized Aluminum
- Maintenance Free
- Corrosion Resistant



**Height** (incl. Roof) **H 6'-9"**      **Width** **W 7'-2.5"** (on Top) **W 5'-7.5"** (on Ground)



# Fukuno Gate

Traditional design  
Modern maintenance free aluminum



Keyed Lock



**OPTIONAL Thumb-turn**



Key on both sides

Or Key on outside and Thumb-turn on the inside for convenience



Cast aluminum end-cap



No-roof type post-cap



Steel rail

